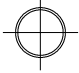
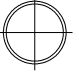
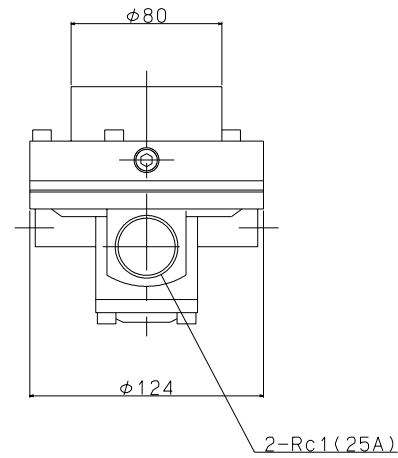
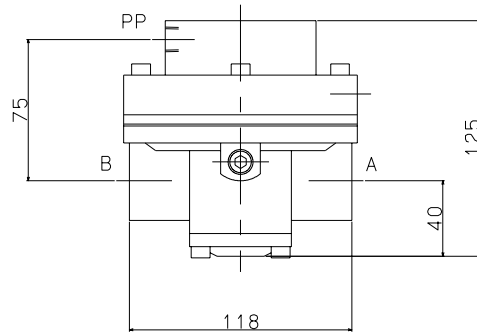
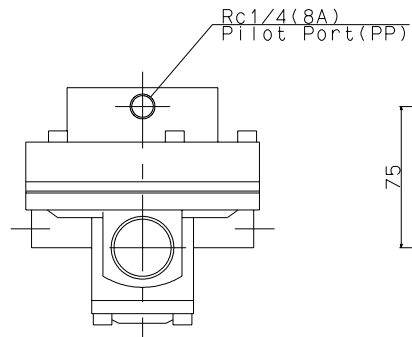
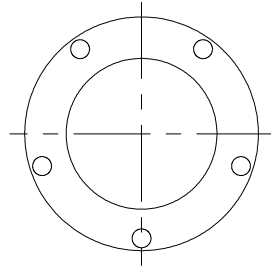
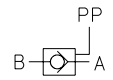


Port Size	
Rc3/4(20A)	Rc1(25A)
	



JIS Symbol 	Model: CVP2-08-20A.25A
	Maker: KONAN
	File Name: CVP2-08