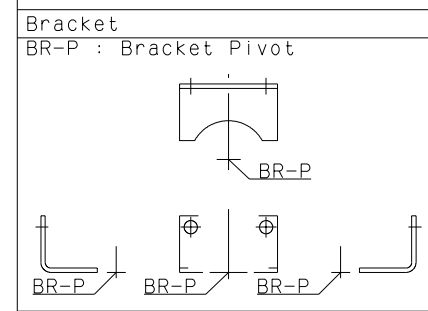
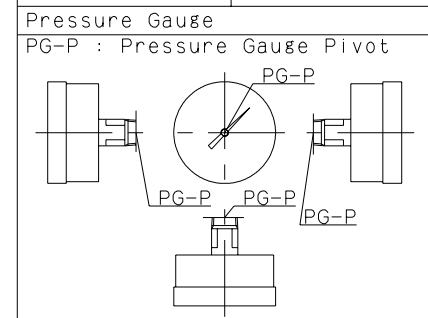


Port Size	
Rc1/4(8A)	Rc3/8(10A)



<p>JIS Symbol</p> <p>Primary Side Secondary Side</p>	Model :
	ARU3A-03-8A.10A ARU3AS-03-8A.10A
	Maker :
	KONAN
	File Name :
	ARU3A-03