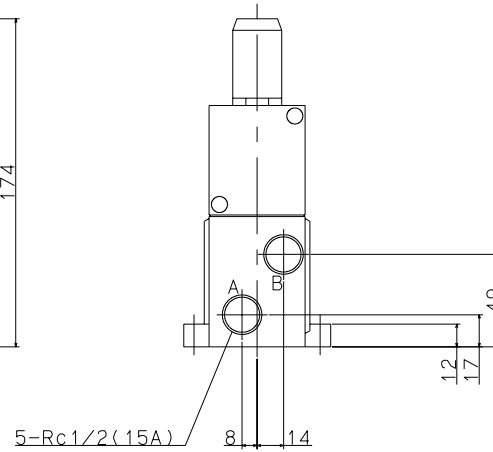
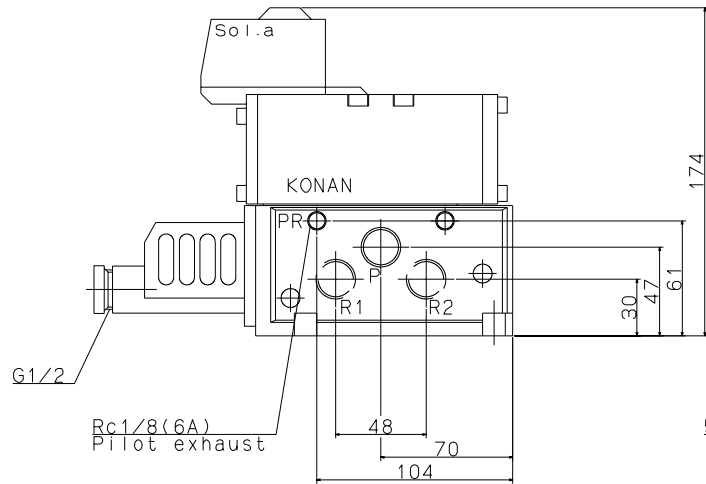
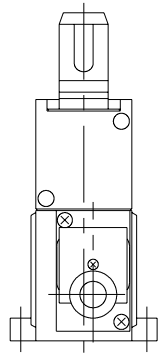
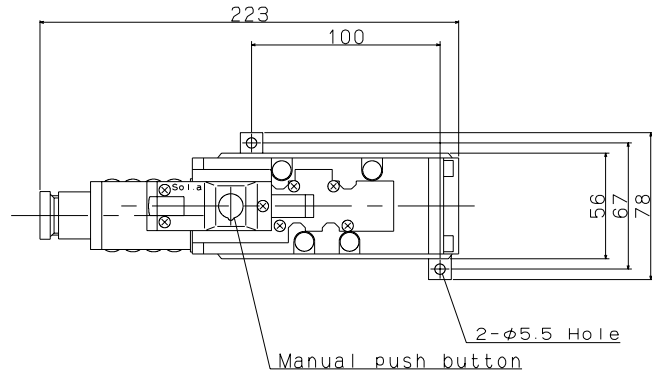


Port Size	
603: Rc3/8(10A)	
604: Rc1/2(15A)	



JIS Symbol	
Model:	
416S603F-Yi	414S603F-Yi
416S604F-Yi	414S604F-Yi
416S603C-Yi	414S603C-Yi
416S604C-Yi	414S604C-Yi
416S603G-Yi	414S603G-Yi
416S604G-Yi	414S604G-Yi
416S603M-Yi	414S603M-Yi
416S604M-Yi	414S604M-Yi
Maker:	
KONAN	
File Name:	
414S604C-YI	