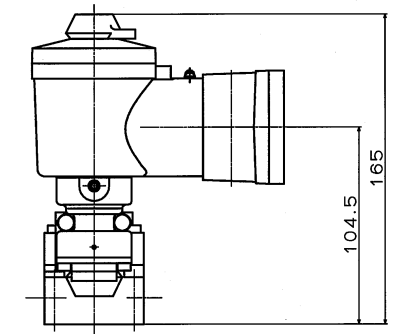
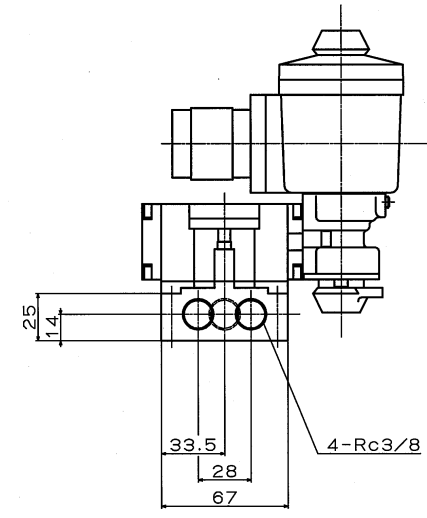
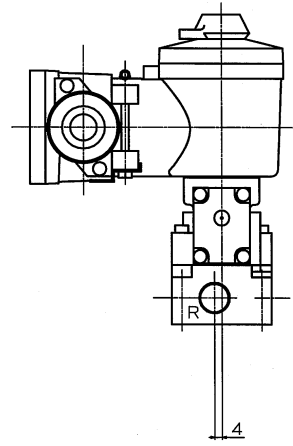
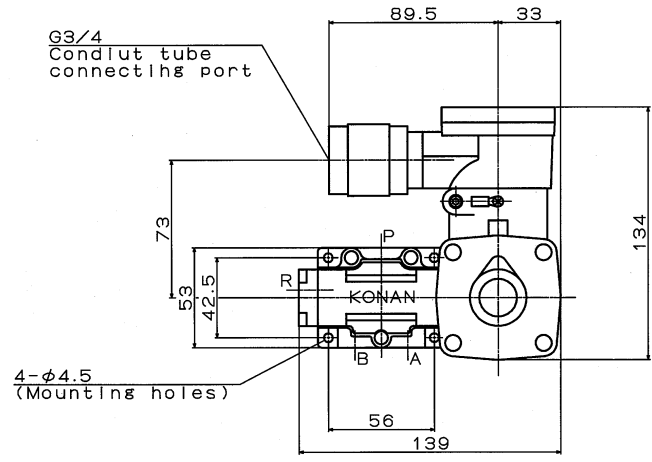


Port Size	
8A: Rc1/4	8N: 1/4NPT
10A: Rc3/8	10N: 3/8NPT



JIS Symbol 	Model:
	MVD812K-02-8A,10A MVD812K-02-8N,10N
	Maker:
	KONAN
File Name:	MVD812K-02