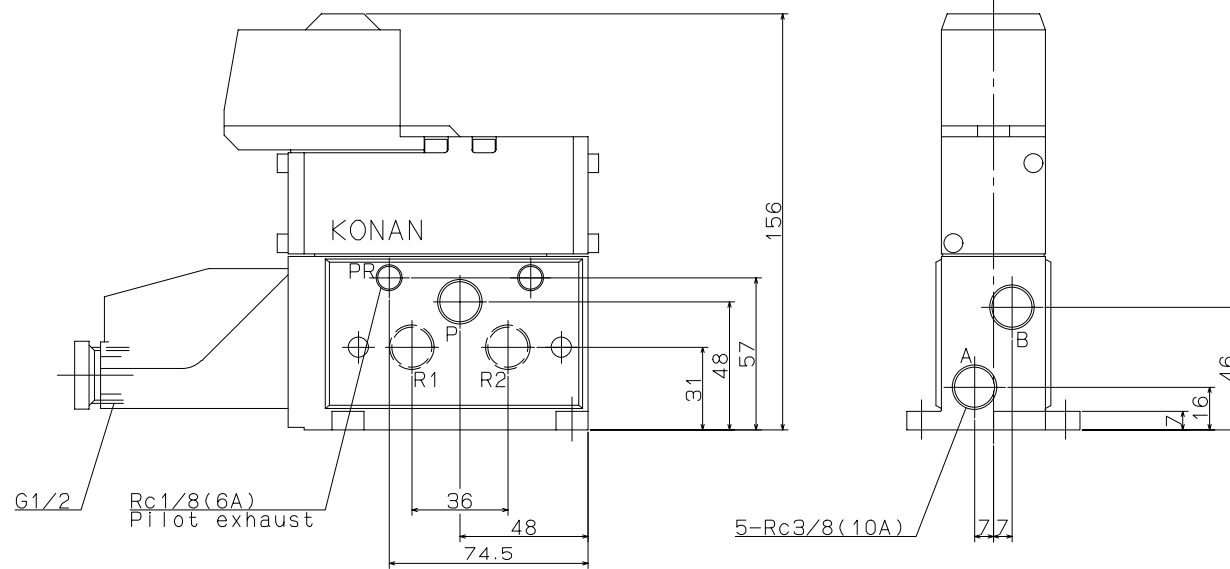
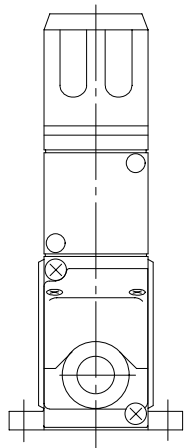
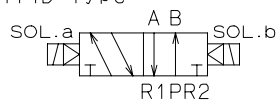


Port Size
302: Rc1/4 (8A)
303: Rc3/8 (10A)

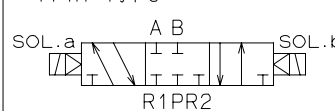


JIS Symbol

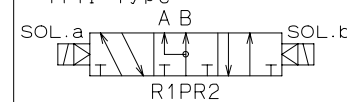
414D Type



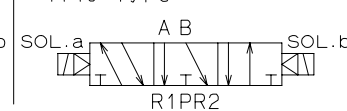
414H Type



414I Type



414J Type



Model :

414D302C-ZA
414D303C-ZA
414H302C-ZA
414H303C-ZA
414I302C-ZA
414I303C-ZA
416D302C-ZA
416D303C-ZA
414J302C-ZA
414J303C-ZA

Maker :

KONAN

File Name :

414D303C-ZA