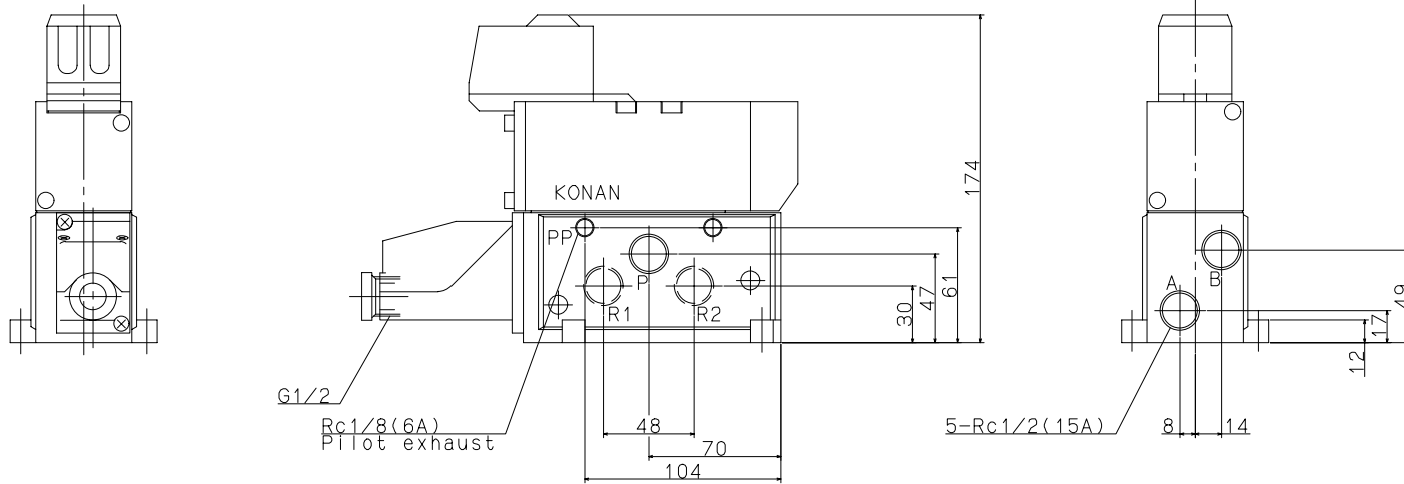
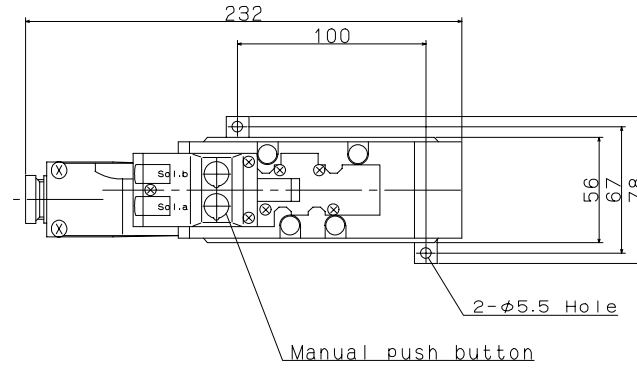


Port Size
603: Rc3/8 (10A)
604: Rc1/2 (15A)



JIS Symbol	Model :
416H Type	416H603C-ZA 416H604C-ZA 416I603C-ZA 416I604C-ZA 416J603C-ZA 416J604C-ZA
416I Type	
	Maker : KONAN
	File Name : 416H604C-ZA