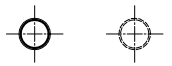
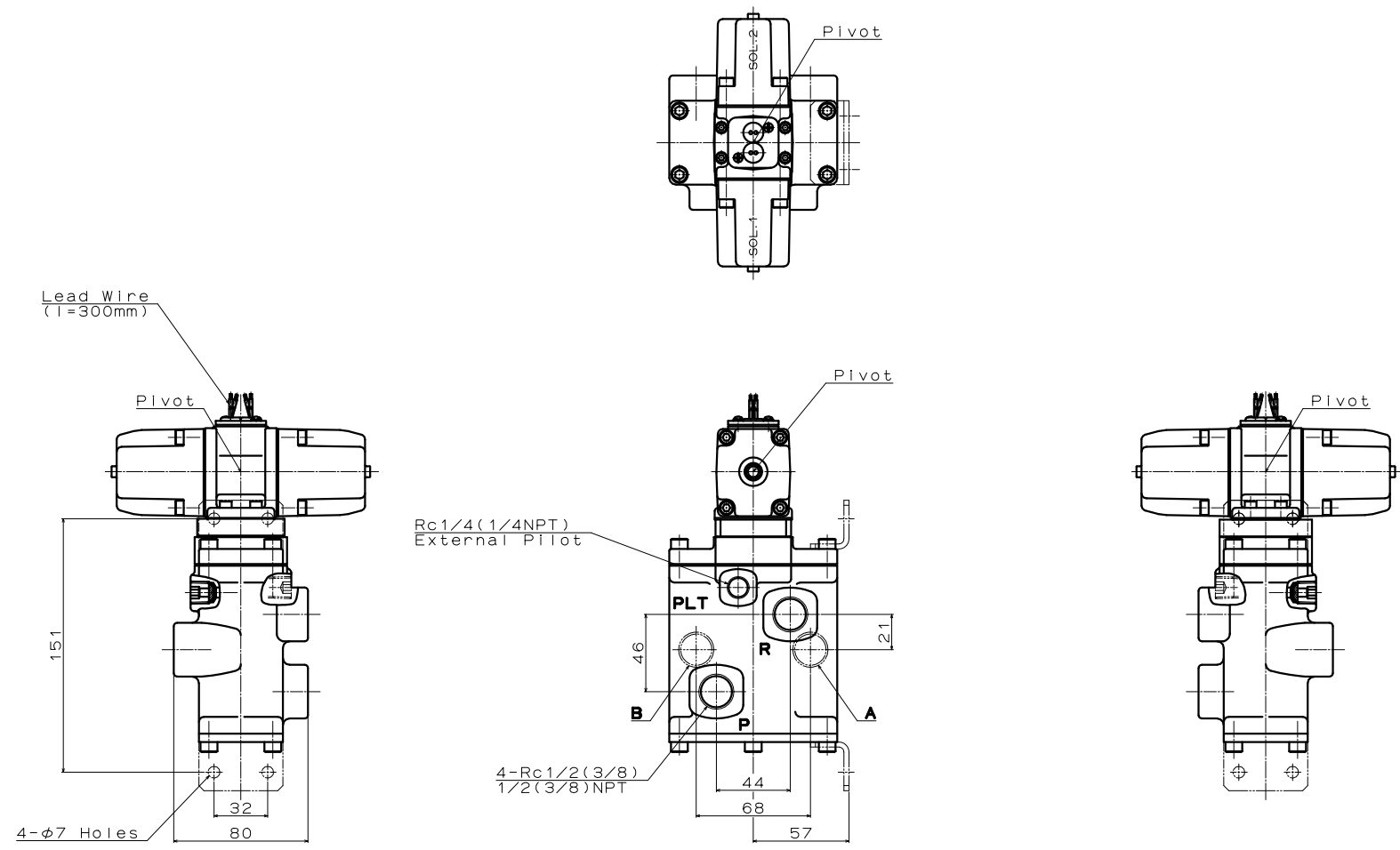
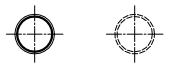


Port Size  
Rc3/8 (10A)



Rc1/2 (15A)



JIS Symbol
MVW344N
Model:
MVW344N-04-D-10A-AC
MVW344N-04-D-15A-AC
Maker:
KONAN
File Name:
MVW344N-04-D-AC