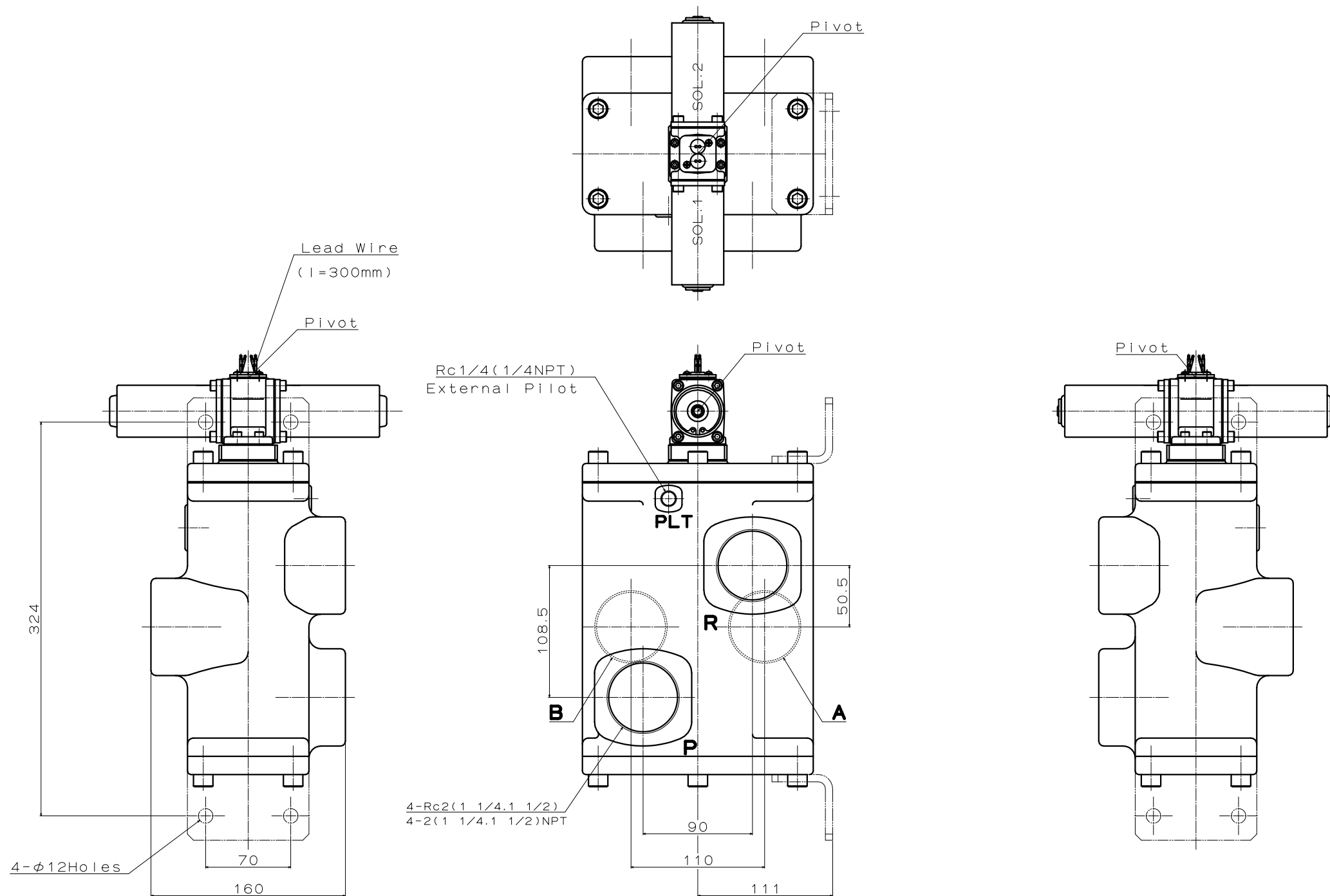


Connecting Method		
Type 'DT' 'DN'	Type 'TBF1'	Type 'TBN2' 'TBN2Z' 'TBN2N' 'TBN2ZN'

Port Size
Rc1 (32A)
Rc1 (40A)
Rc1 (50A)



JIS Symbol
MVW344N
Model :
MVW344N-14-D-32A-DC
MVW344N-14-D-40A-DC
MVW344N-14-D-50A-DC
Maker :
KONAN
File Name :
MVW344N-14-D-DC