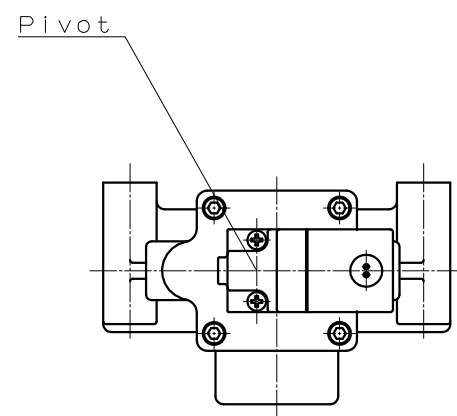
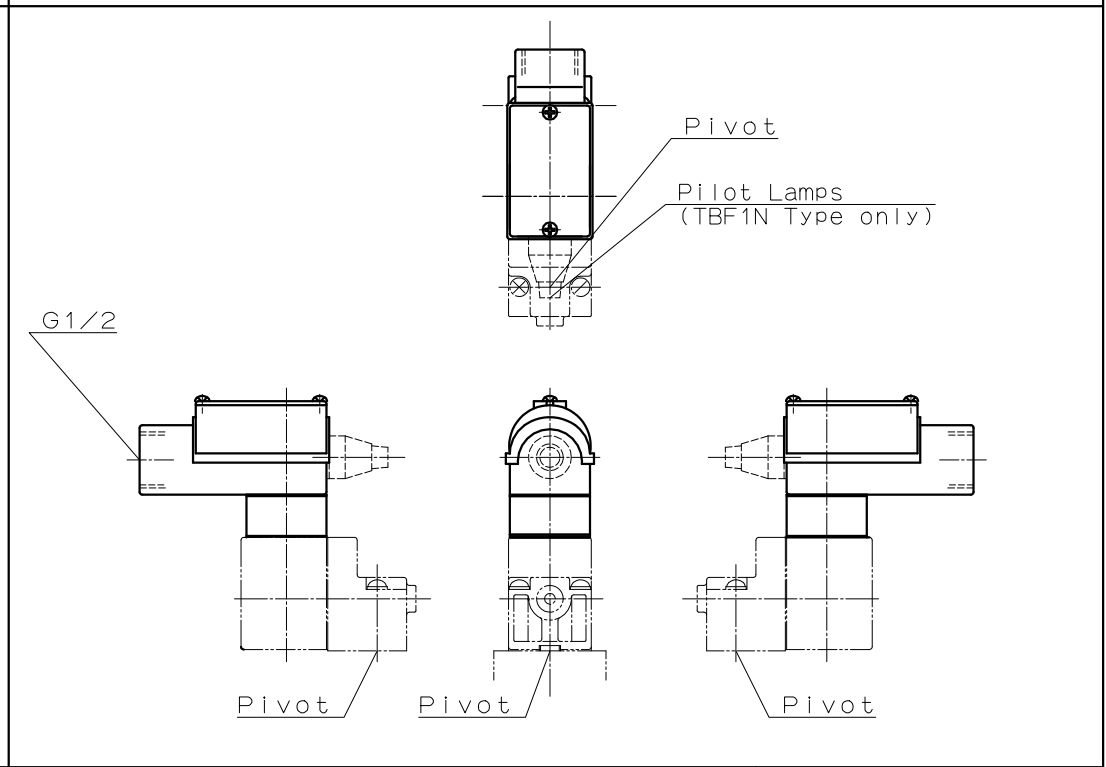
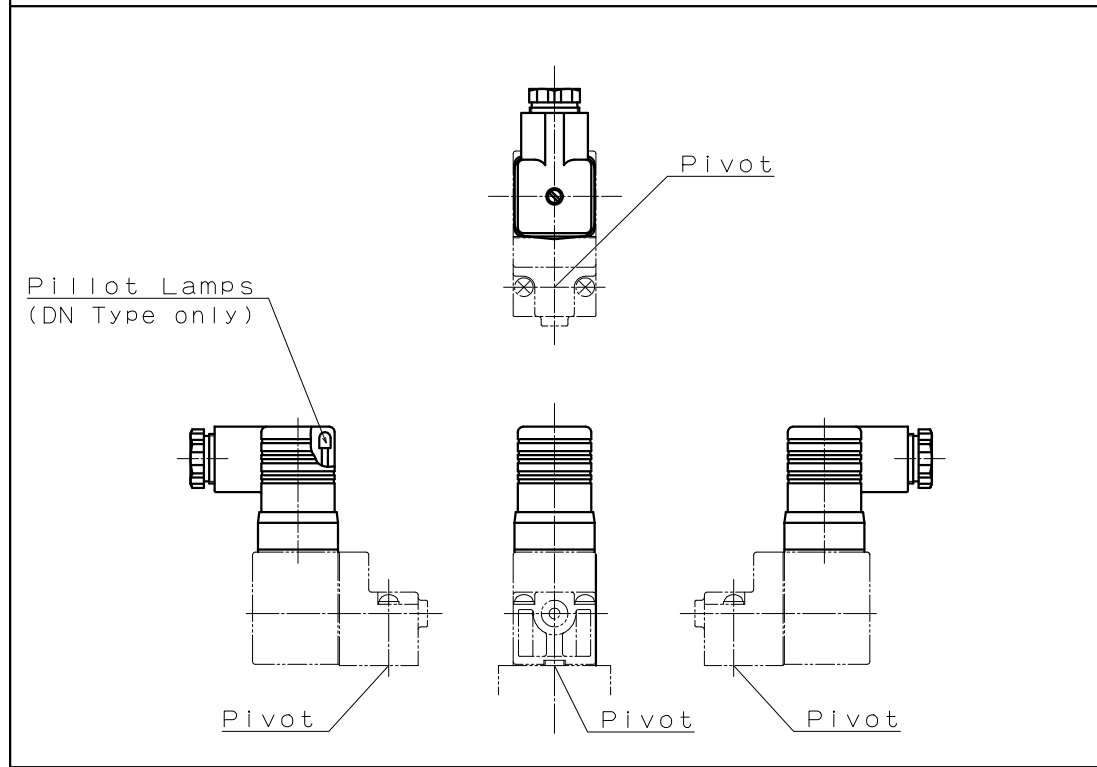


Connecting Method

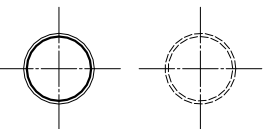
Type 'DT' 'DN' 'DNZ'

Type 'TBF1' 'TBF1N' 'TBF1ZN'

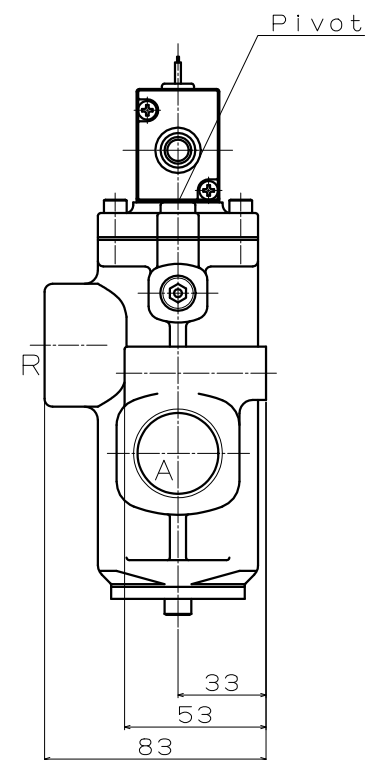
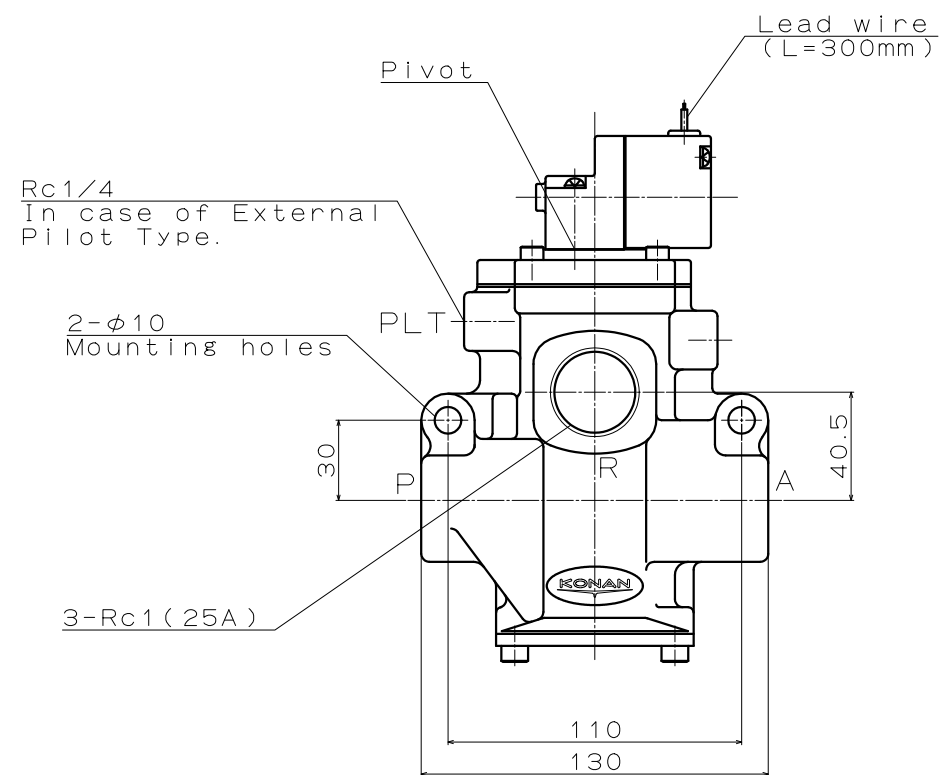
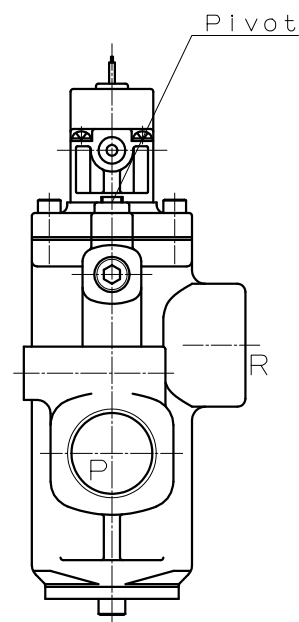
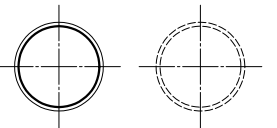


Port Size

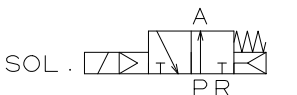
Rc3/4 (20A)



Rc1 (25A)



JIS Symbol



Model :

MVW7FR-08-S-20A  
MVW7FR-08-S-25A

Maker :

KONAN

File Name :

MVW7FR-08-S