

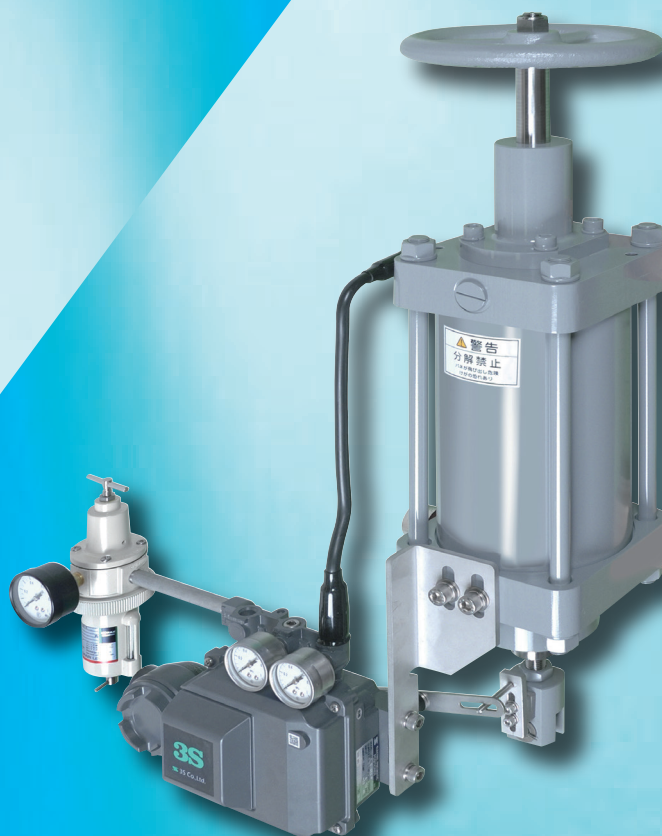
KONAN[®]Customized
products

Proportional control cylinder actuators

Widely used in actuators for valves, dampers, and other applications that require proportional control in chemical plants, refineries, power plants, heating furnaces, etc.

A. Single-acting vertical type with manual handle

- With positioner (opening angle sensor included type)



Features

- We can also replace existing piston cylinders. Please feel free to contact us.
- Widely used in valves and actuators that require proportional position control.
- The wide range of output power makes it easy to choose.
- After delivery of the products, we can provide comprehensive maintenance services, from supplying parts to overhauls.

Specifications <Vertical type with manual handle>

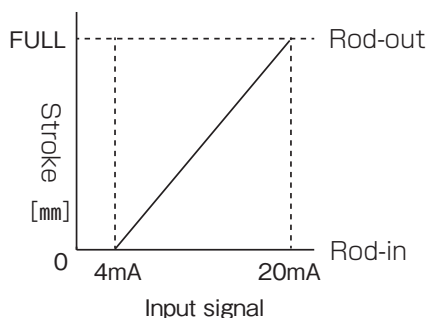
KPS-VM : Single-acting vertical type with manual handle

Model No.	Bore size [mm]	Stroke [mm]	Spring force [N]		Air force [N] (Supply pressure at 0.3 MPa)	
			Rod-in	Rod-out	Rod-in	Rod-out
KPS-VM-140x75	140	75	440	1759	2976	1657
KPS-VM-140x100	140	100	440	1787	2976	1629
KPS-VM-180x75	180	75	740	2958	4906	2688
KPS-VM-220x100	220	100	1030	3774	7405	4661

Single-acting vertical type	
Supply pressure	0.3~0.7MPa
Proof pressure	1.05MPa
Input signal	4~20mA
Fluid	Compressed air ※
Ambient temperature	0~60°C
Linearity	Less than 5% of total stroke
Hysteresis	Less than 2.5% of total stroke
Air consumption	Varies depending on the positioner installed.

※Air is purified by filter with a 5 μm or less filtration accuracy.

■ Relationship between input signals and strokes



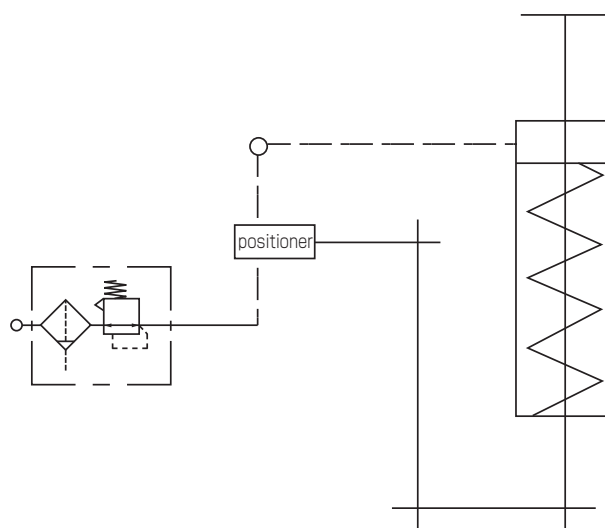
※Reverse operation, which is rod-in in response to an increase in the input signal, can also be supported.

Various customizations and options are available.

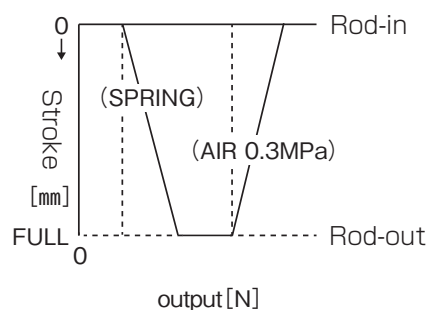
- Installation of accessory equipment (FR unit, Lock-up valve, Speed controller)
- Addition of stroke adjustment mechanism
- Positioner can be changed to P-P positioner or another type of positioner.

Schematic

<with positioner>



【Relationship between output and strokes】



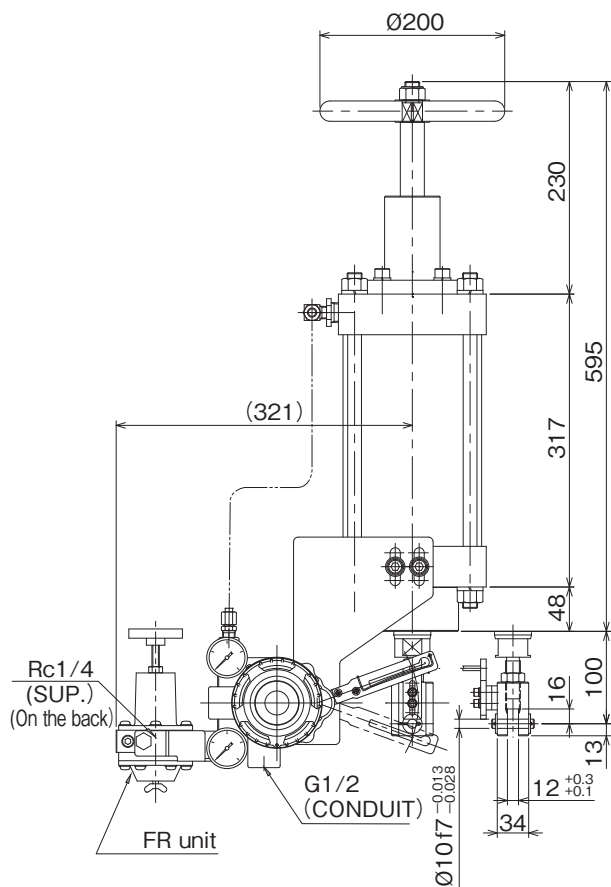
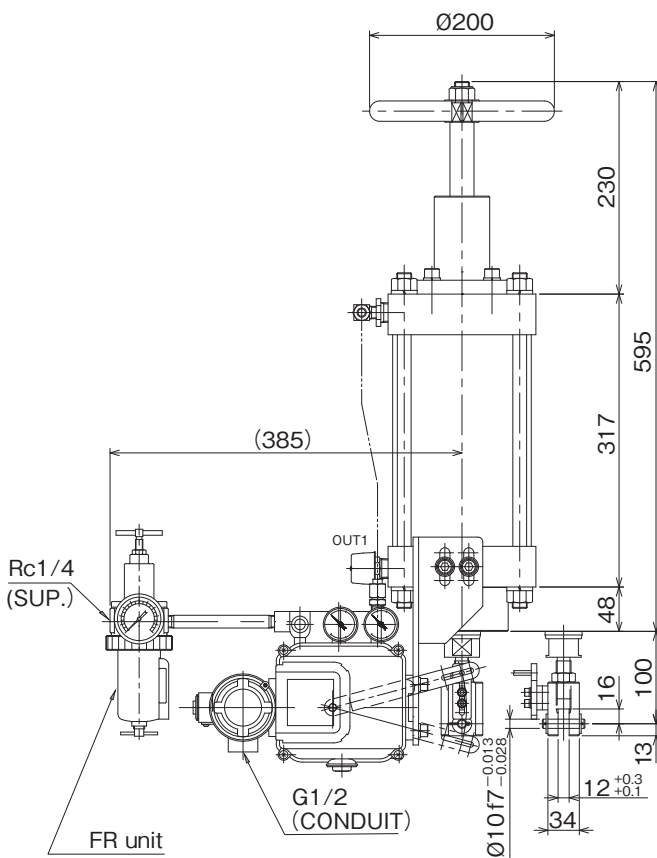
Features

- Heat-resistant types are also available.
- Bore size up to $\phi 500$ are available. Please feel free to contact us.

KPS-VM : Single-acting vertical type with manual handle

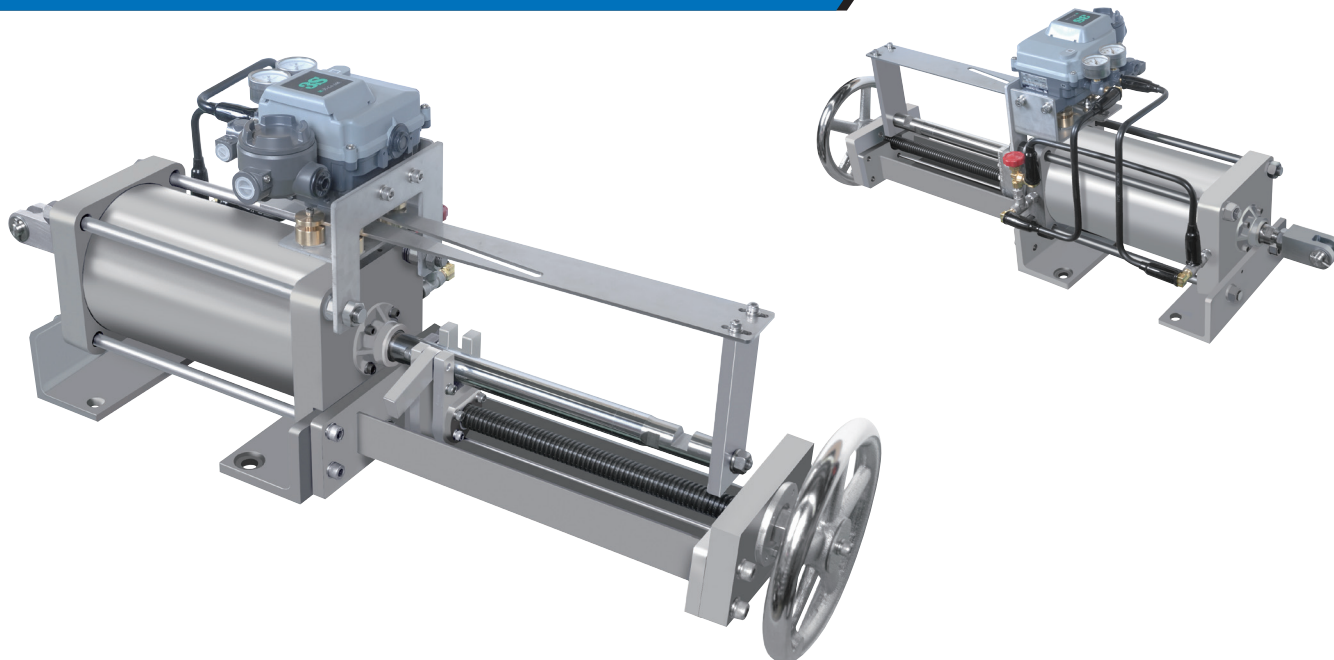
- With positioner <mechanical type>
 $\phi 140 \times 75^S$

- With positioner <smart type>
 $\phi 140 \times 75^S$

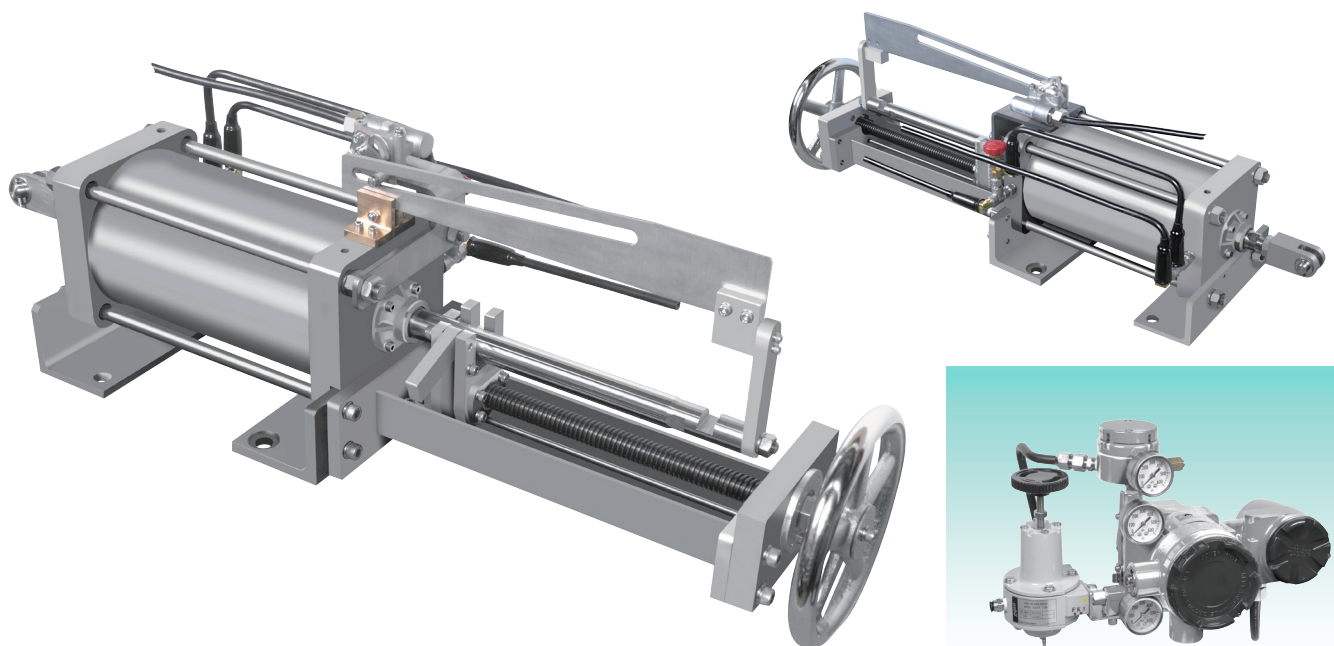


B. Double-acting horizontal type with manual handle

- With positioner (opening angle sensor included type)



- With positioner (opening angle sensor separated type)



Specifications

<Horizontal type with manual handle>

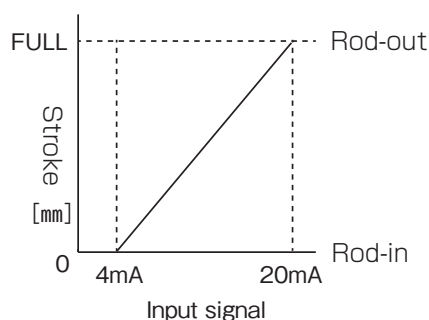
KPD-HM : Double-acting horizontal type with manual handle

Model No.	Bore size [mm]	Stroke [mm]	Air force [N] (Supply pressure at 0.4 MPa)
KPD-HM-80x100	80	100	1290
KPD-HM-80x150		150	
KPD-HM-80x250		250	
KPD-HM-100x100	100	100	2130
KPD-HM-100x150		150	
KPD-HM-100x250		250	
KPD-HM-125x100	125	100	3460
KPD-HM-125x150		150	
KPD-HM-125x250		250	
KPD-HM-140x100	140	100	4400
KPD-HM-140x150		150	
KPD-HM-140x250		250	
KPD-HM-160x100	160	100	5800
KPD-HM-160x150		150	
KPD-HM-160x250		250	
KPD-HM-180x100	180	100	7400
KPD-HM-180x150		150	
KPD-HM-180x250		250	
KPD-HM-220x250	220	250	10800
KPD-HM-250x250	250	250	14100
KPD-HM-300x250	300	250	20300

	Double-acting horizontal type
Supply pressure	0.4~0.7MPa
Proof pressure	1.05MPa
Input signal	4~20mA
Fluid	Compressed air ※
Ambient temperature	0~60°C
Linearity	Less than 5% of total stroke
Hysteresis	Less than 2.5% of total stroke
Air consumption	Varies depending on the positioner installed.

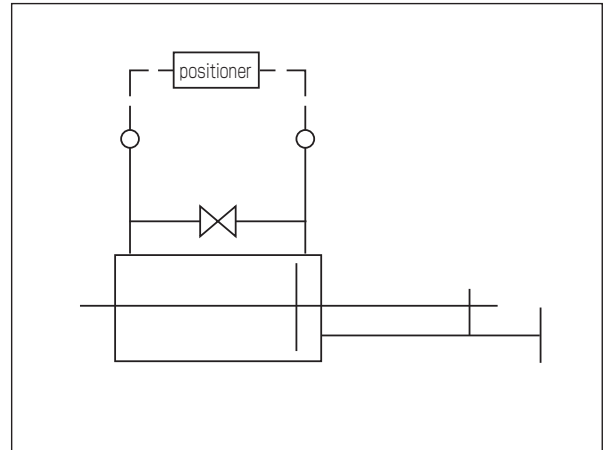
※Air is purified by filter with a 5 μm or less filtration accuracy.

Relationship between input signals and strokes



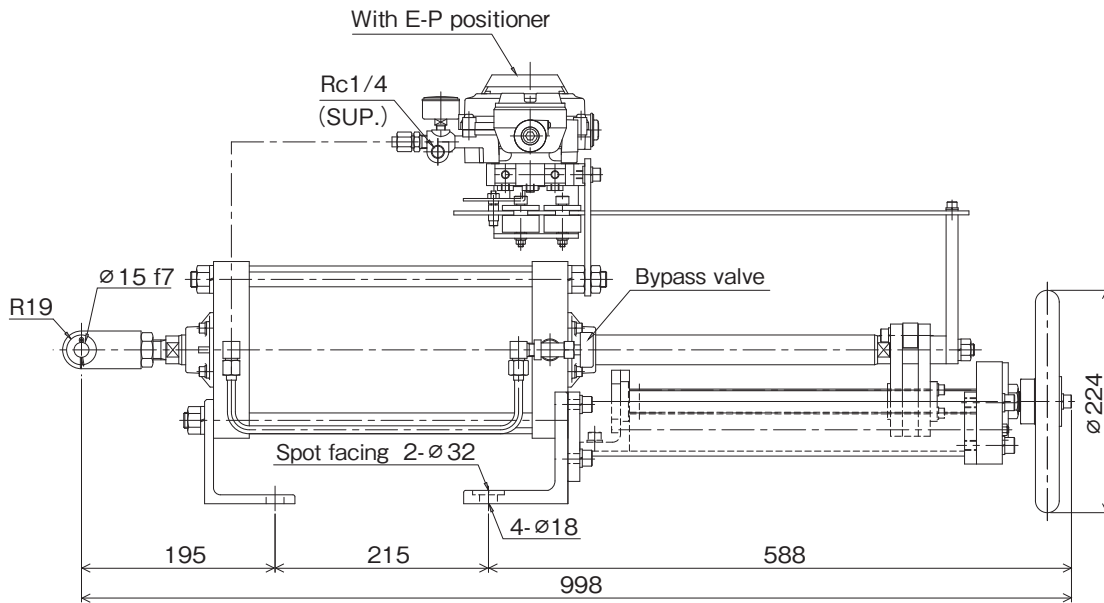
Schematic

<with positioner>

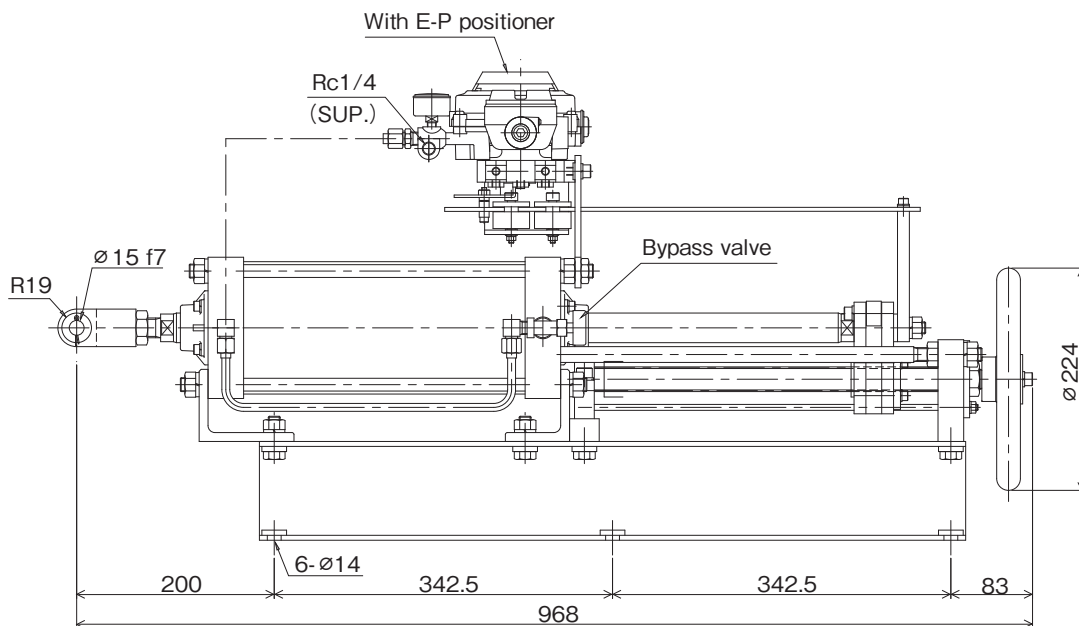


Double-acting horizontal type with manual handle

[With E-P positioner ($\phi 160 \times 250^S$)]

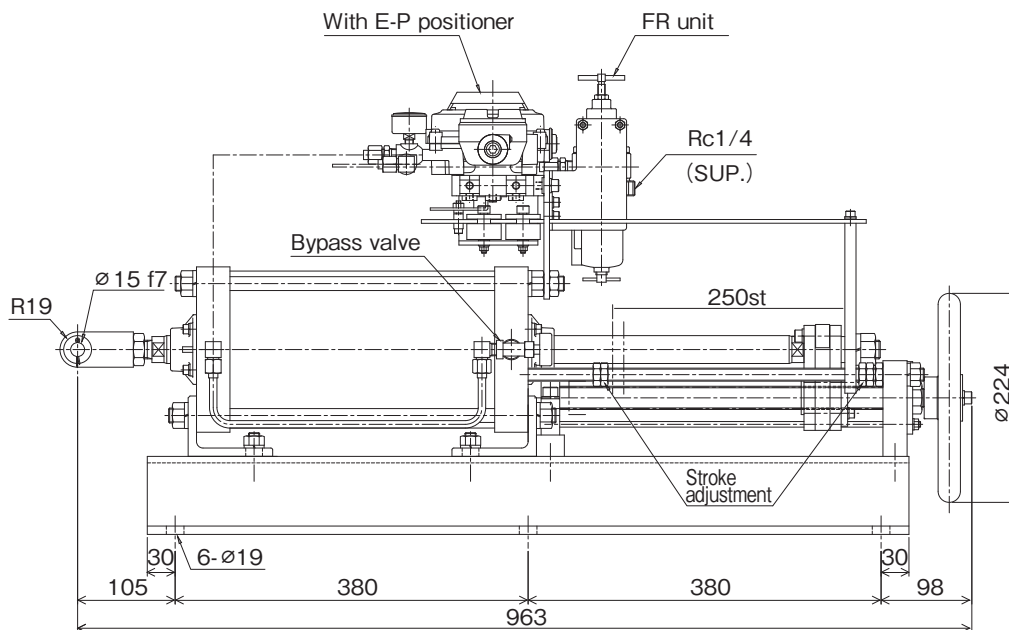


[With E-P positioner ($\phi 125 \times 250^S$)]

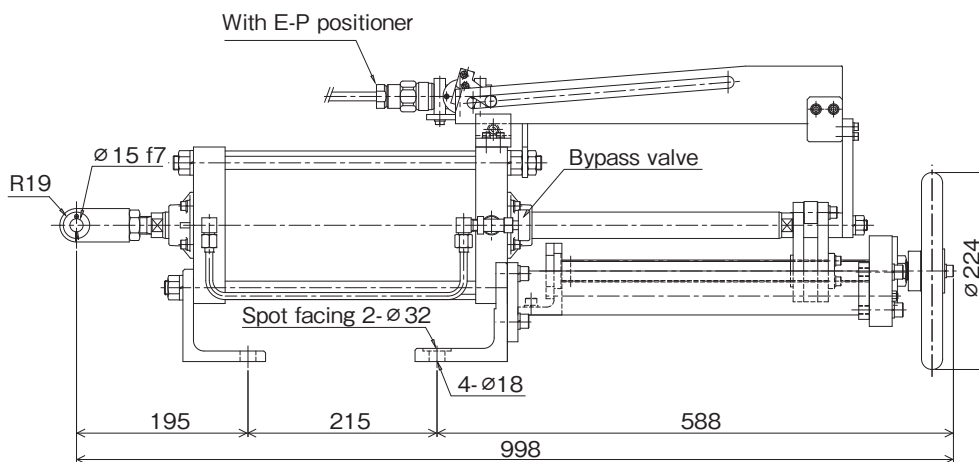


Double-acting horizontal type with manual handle

[With E-P positioner, FR unit, Stroke adjustment function ($\phi 160 \times 250^S$)]



[With E-P positioner (opening angle sensor separated type) ($\phi 160 \times 250^S$)]



※On request, we can also replace consumable parts of existing products by ourselves after obtaining them from the manufacturer.

KONAN ELECTRIC CO.,LTD.

International Operation Division

4-97, Uedahigashimachi, Nishinomiya, Hyogo, 663-8133, Japan
Phone : +81-798-48-5931 Fax : +81-798-40-6659



Tokyo Branch Tohoku office Chiba office Hokkaido office
Osaka Branch Nagoya office Kanazawa office Takamatsu office
Seibu Branch Hiroshima office Kitakyushu office

Distributing Agent

URL=<https://www.konan-em.com/>

2025.01
Please note that this catalog is subject to revision without notice.
2025.02-1版(D1)-K